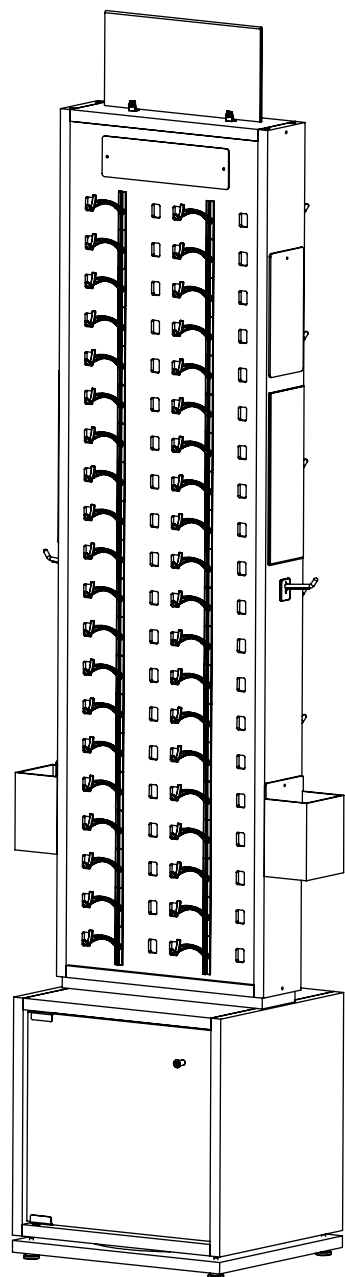


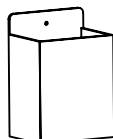
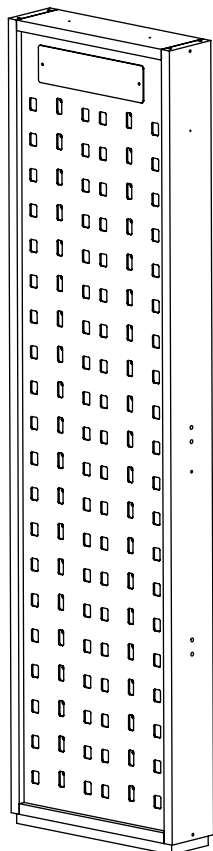
Peepers 136pc Instructions

Mixed Panels

Before assembling display, remove all packaging materials. Remove clear protective film from mirrors, header, and graphic panels. Set out all hardware and parts. Assemble display on a clean, smooth surface.

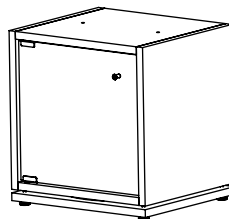


Box #1:
Includes the main Display unit.

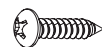


Case Holder (x2)

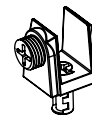
Box #2:
Includes the rotating base unit and all the hardware.



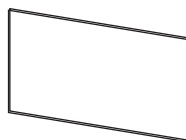
Display Base



#6 x 1/2" pan head Sheet metal screws (x4)



POS Holder (x2)



Header POS



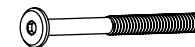
5pc Nose Piece (x8)



Double sided Tape (X10)



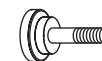
Mirror (x2)



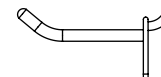
1/4"-20 x 2.35" Assembly Bolt (x2)



Rail POS (x2)



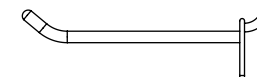
Leveler (x4)



Rail hooks (x2)



Hex Key

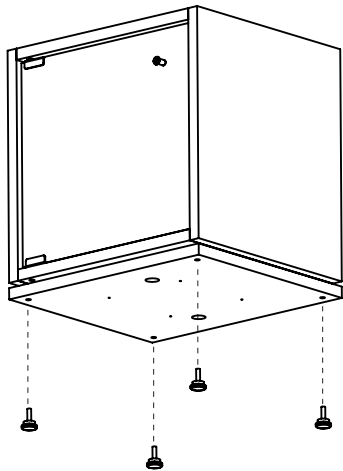


Display hooks (x24)

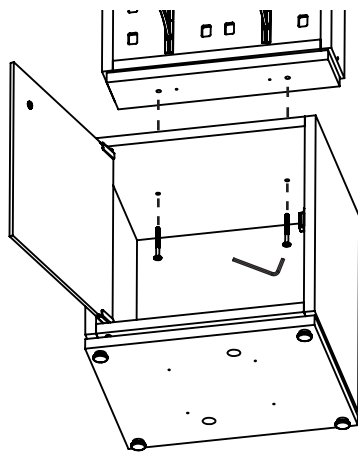
TURN OVER

Peepers 136pc Instructions

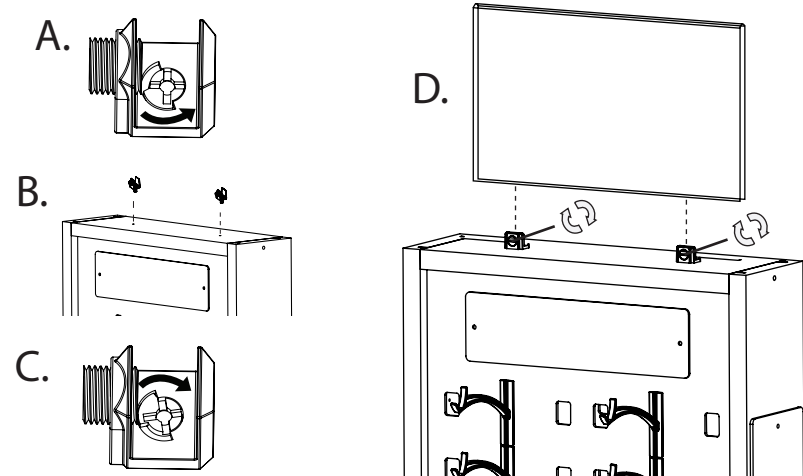
- 1 Locate the levelers in box 2 and screw all 4 of them into the bottom of the base as shown.



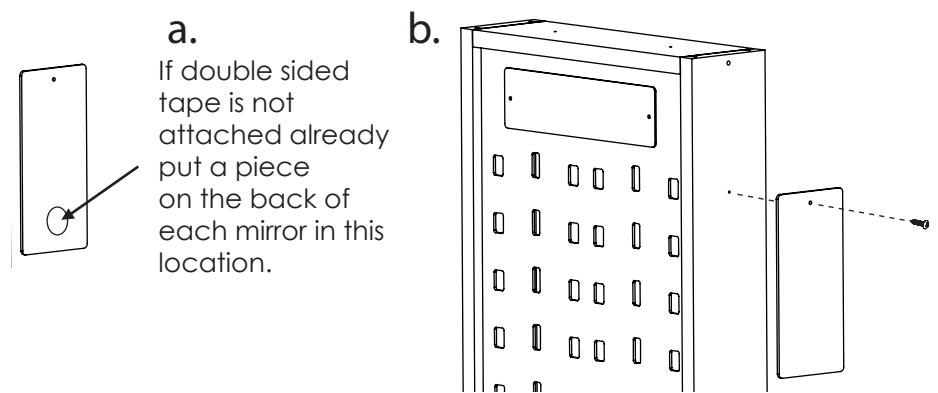
- 2 With the help of another person holding the display top, attach the display to the base using the 2 assembly bolts and the hex wrench as shown. Once both bolts are in, tighten them down with a hex wrench to secure the top.



- 3 (A) Take header post and turn the screw on the bottom all the way to the left. (B) Next, push the header holder into the hole on the top of the display. (C) Hold the header holder in place and screw the bottom screw all the way to the right to lock holder in place. Repeat on the second header post. (D) Center the header inside the two holders and screw in the set screws to lock the header in place



- 5 Attach double side tape to the back of the mirror as shown. Attach mirrors (x2) to side panels. Begin by starting screws #6 x 1/2" (x2). Do not tighten! Slide mirror to side and remove tape on back of mirror. Align mirror so it is vertically straight. Press on to rail and finish tightening screws. Do not over tighten screws!!

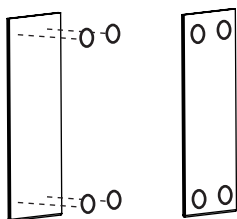


TURN OVER

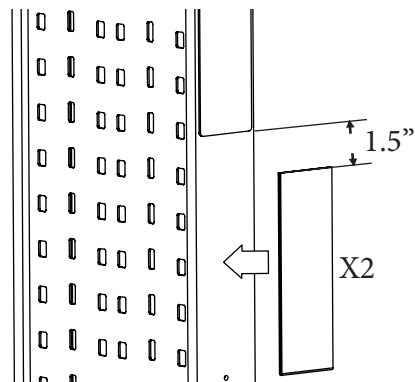
Peepers 136pc Instructions

- 4 Peel the blue protective coating off the two POS holders. Next take four pieces of double sided tape and attach them to the corners of the POS holder evenly spaced. Repeat on other POS holder. Next, place POS on rail 1.5" down from the mirror.

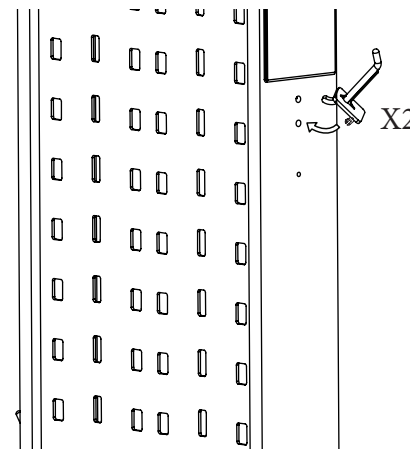
a. X2



b.

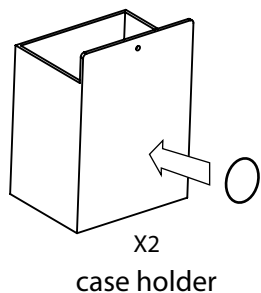


- 7 Attach both hooks to the display rails as shown.

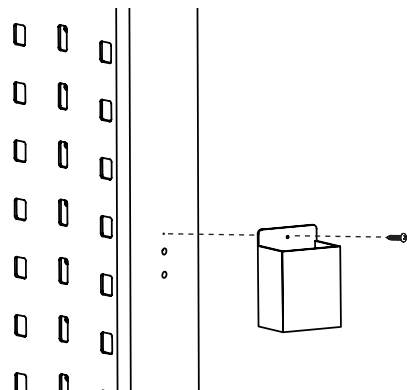


- 6 Apply the double sided tape to the case holder as shown. Using a #6 x 5/8" screw, start attaching the case holder to the rail (do not tighten yet). Pull case holder aside, peel double sided tape from rail spacer and apply case holder to the rail. Make sure case holder is straight then finish tightening up screw. Repeat on other side

a.



b.



TURN OVER

Page 3

Peepers 136pc Instructions

- 8 Starting at the bottom, insert all 8 nose pieces. Next Install all 24 Display hooks as shown on the other side of the display

