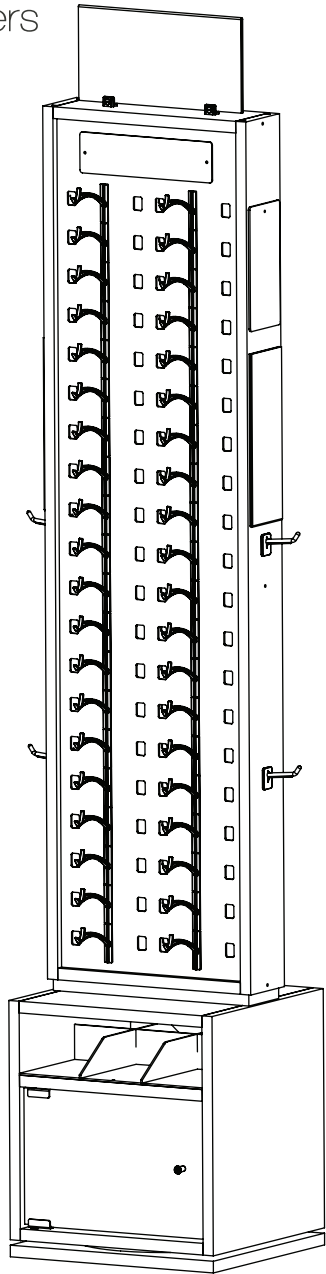


# Peepers 80pc Instructions

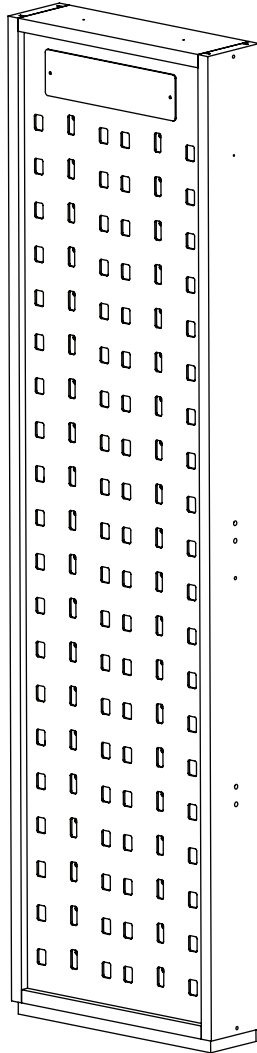


Assembled Display

Before assembling display, remove all packaging materials. Remove clear protective film from mirrors, header, and graphic panels. Set out all hardware and parts. Assemble display on a clean, smooth surface.

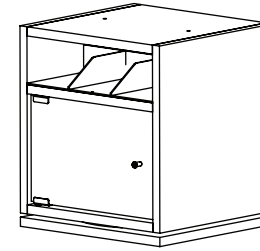
## Box #1:

Includes the main Display unit.



## Box #2:

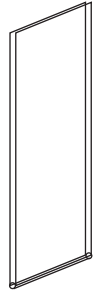
Includes the rotating base unit and all the hardware.



Display Base



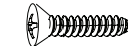
5pc Nose Piece (x16)



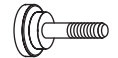
Rail POS



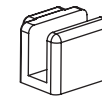
#6 x 1/2" pan head Sheet metal screws (x4)



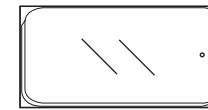
#8 x .75" Flat Head Sheet Metal Screw (2)



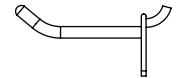
Leveler (x4)



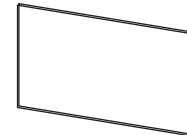
POS Holder (x2)



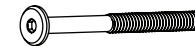
Mirror (x2)



Hooks (x4)



Header POS



1/4"-20 x 2.35" Assembly Bolt



Hex Key

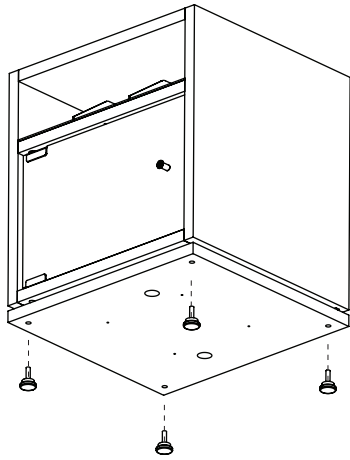


Double sided Tape (X10)

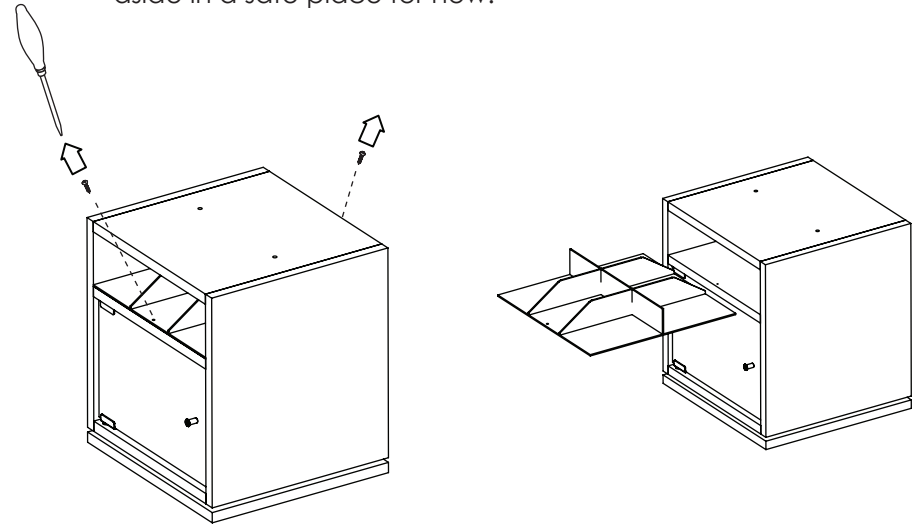
TURN OVER

# Peepers 80pc Instructions

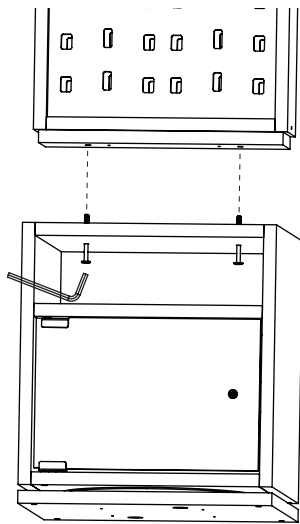
- ① Locate the levelers in box 2 and screw all 4 of them into the bottom of the base as shown.



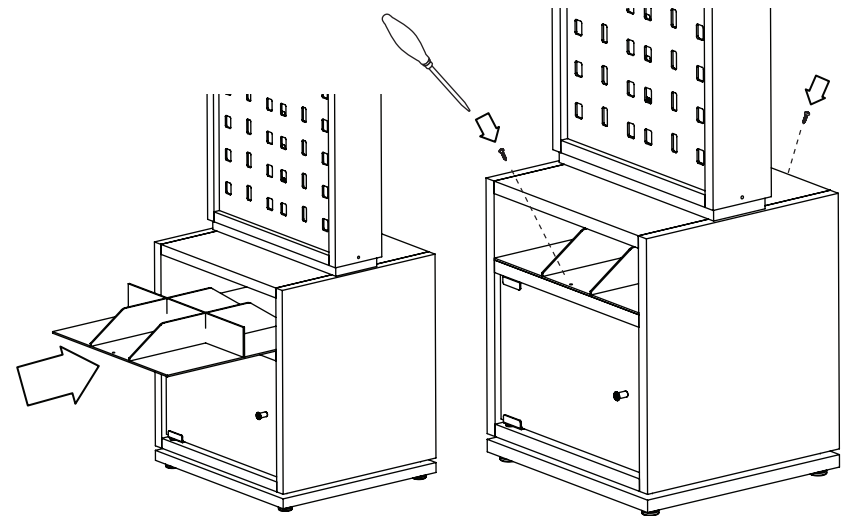
- ② Locate the two screws holding the case holder tray in place and remove them. Set tray and screws aside in a safe place for now.



- ③ Attach the display to the base using the hex wrench and 2 assembly bolts as shown.



- ④ Once the display is attached to the base locate the screws and case holder tray from step 2 and re-attach. **DO NOT OVER TIGHTEN OR YOU COULD CRACK THE PLASTIC TRAY.**

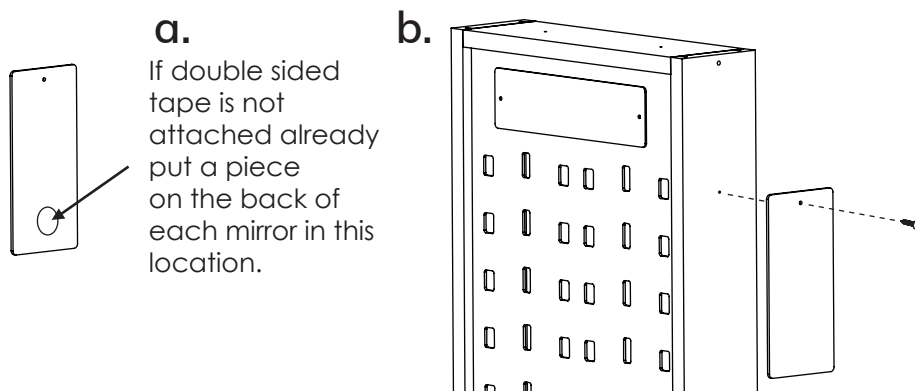


TURN OVER

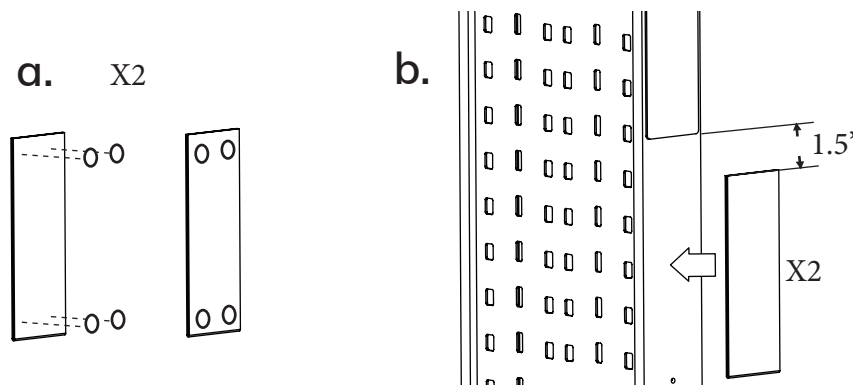
Page 2

# Peepers 80pc Instructions

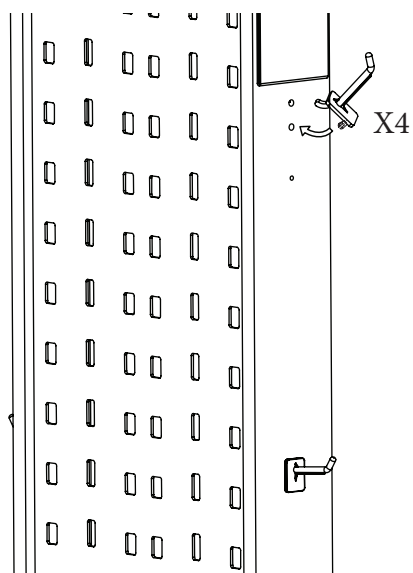
- 5 Attach double side tape to the back of the mirror as shown. Attach mirrors (x2) to side panels. Begin by starting screws #6 x 1/2"(x2). Do not tighten! Slide mirror to side and remove tape on back of mirror. Align mirror so it is vertically straight. Press on to rail and finish tightening screws. Do not over tighten screws!!



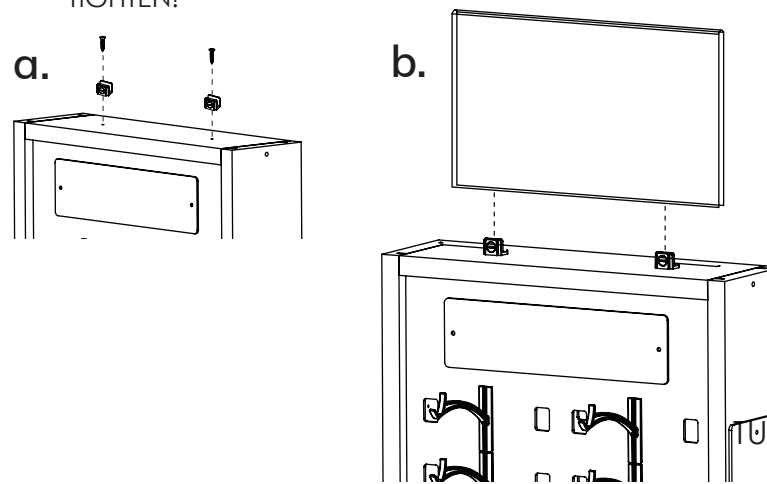
- 6 Peel the blue protective coating off the two POS holders. Next take four pieces of double sided tape and attach them to the corners of the POS holder evenly spaced. Repeat on other POS holder. Next, place POS on rail 1.5" down from the mirror.



- 7 Attach all 4 hooks to the display as shown.

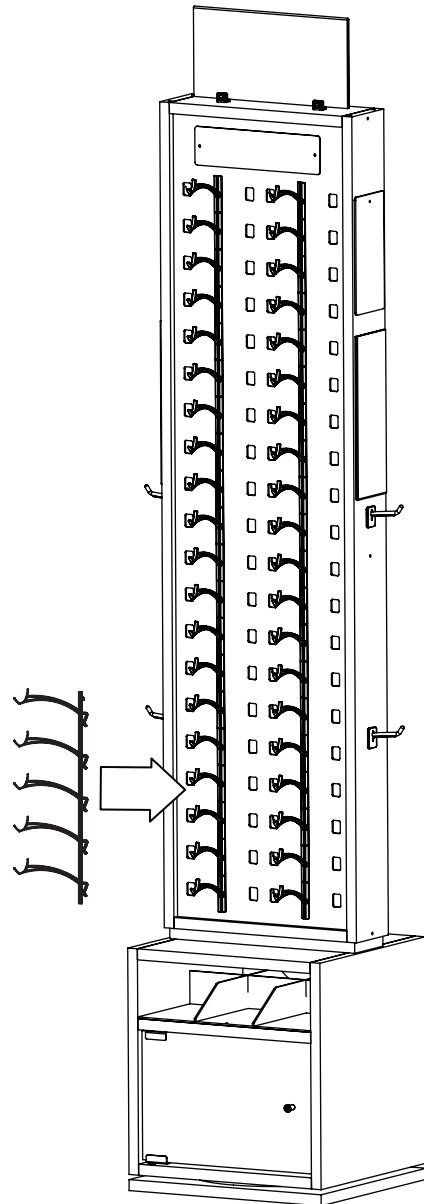


- 8 Using the #8 x .75" flat head sheet metal screws, attach the two POS holders to the top of the display. Insert graphic inside of the clear header cover with the fold in the upper direction. Center the header between the two POS holders. Once everything looks centered, tighten set screws to secure in place using a phillips head screw driver. DO NOT OVER TIGHTEN!

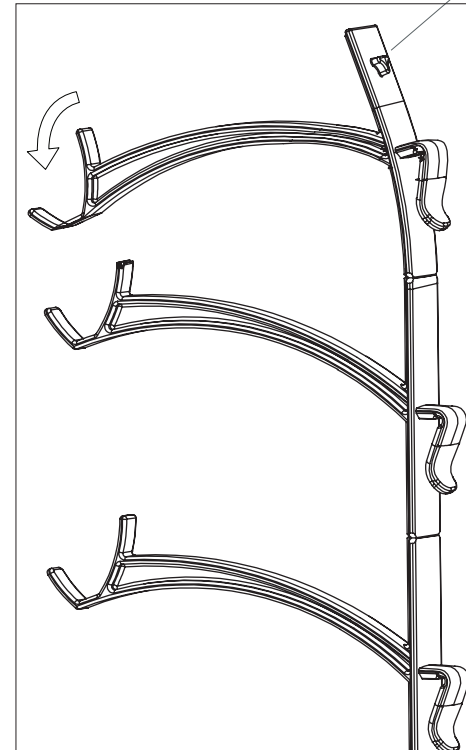
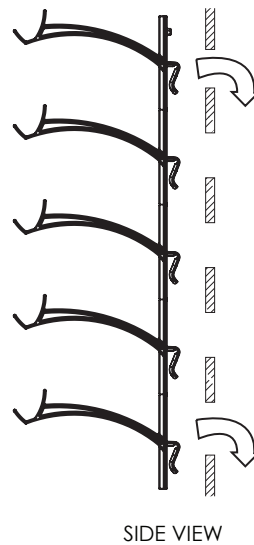


# Peepers 80pc Instructions

- 9 Insert all 16 nose pieces by starting at the bottom.



Insert nose pieces starting from the bottom



**To remove:**  
Pull the top of nose piece toward you, then pull entire nose piece up. There is a locking devise to prevent it from coming out.

TURN OVER

Page 4