

Peepers 32pc Counter

1. Attach the base to the display with the 1/4"-20 x 2.25" bolts.

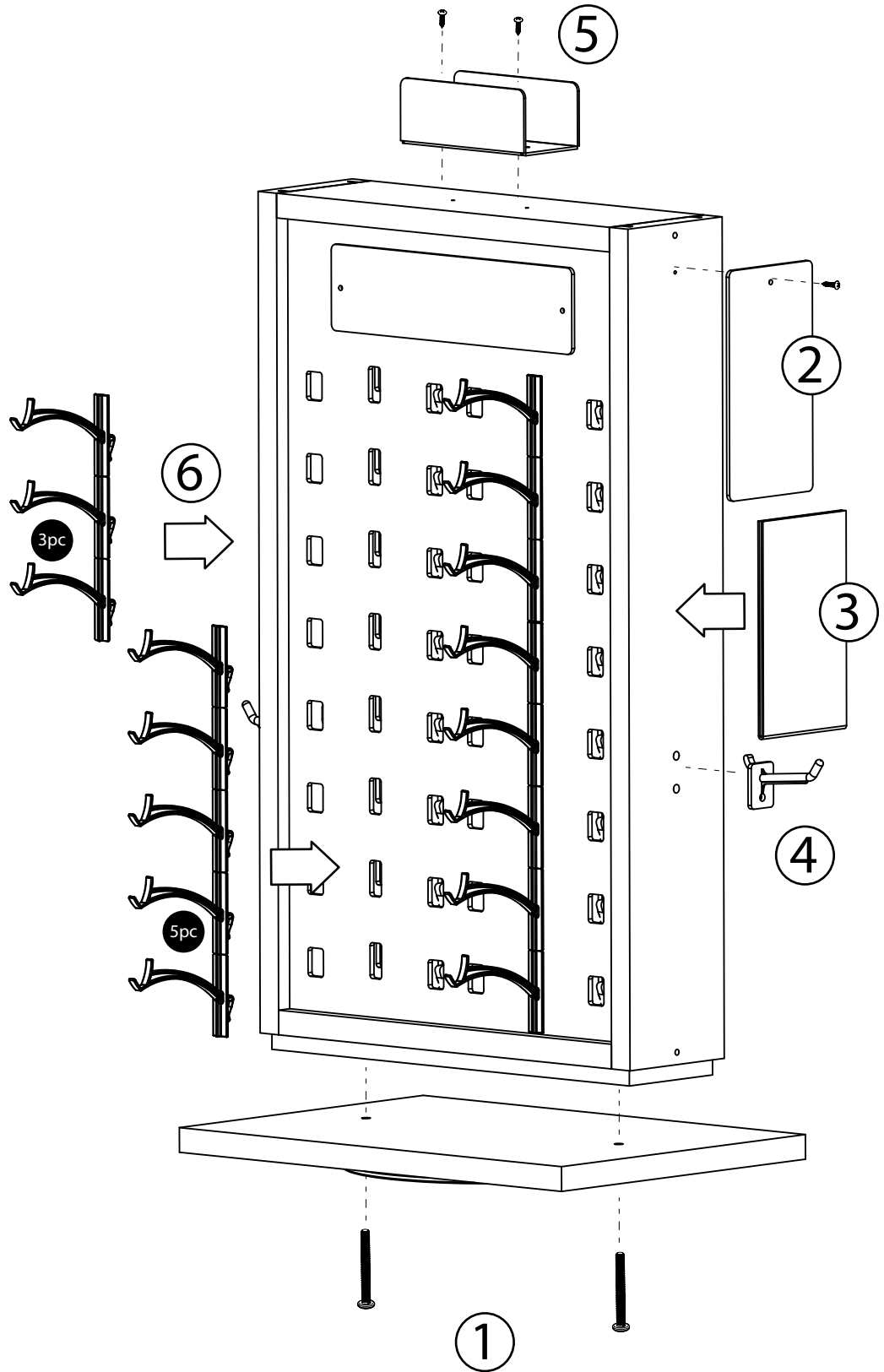
2. Attach the mirrors to the display. TURN PAGE FOR DETAILS.

3. Attach the POS 1/2" below the mirror. Peel off protective coating. TURN PAGE FOR DETAILS.

4. Insert accessory hooks into the rail.

5. Using the #6 x 1/2" pan head screws, attach the case holder to the top of the display.

6. Starting from the bottom insert a 5pc nose piece into the display panel, then a 3pc above. Repeat until all nose pieces are on the display. TURN PAGE FOR DETAILS.



PARTS LIST



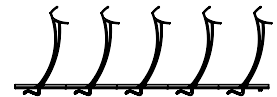
1/4"-20 x 2.25"
pan head (X2)



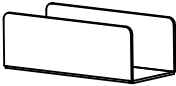
#6 x 1/2" pan head
sheet metal screw (X4)



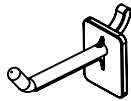
POS holder (X2)



5pc Nose piece (4)



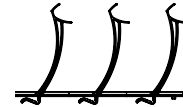
Case Holder



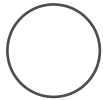
Hooks (X2)



Mirror (X2)

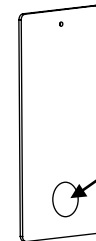
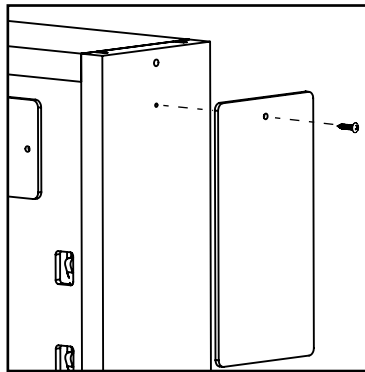


3pc Nose piece (4)



Double sided
tape (X6)

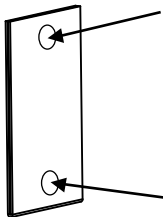
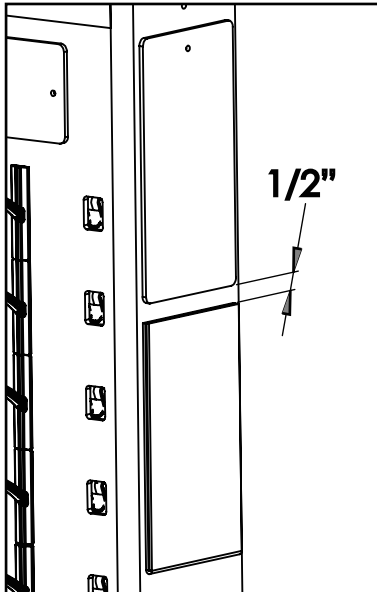
2



If double sided
tape is not
attached
already put a
piece on the
back of each
mirror in this
location.

Attach mirrors (x2) to the side rails. First put the #6 x 5/8" silver screw through the mirror hole and screw it into the rail until screw catches. Next remove double sided tape on the back of mirror while screw is still not tighten down. Now align mirror so it is vertically straight. Press mirror onto the rail and finishing tightening screws, do not over tighten screws!!!

3

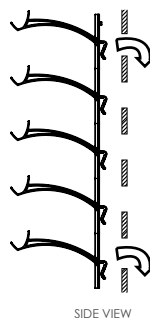


If double sided tape is not attached already, put one piece on the top and bottom of each POS card.

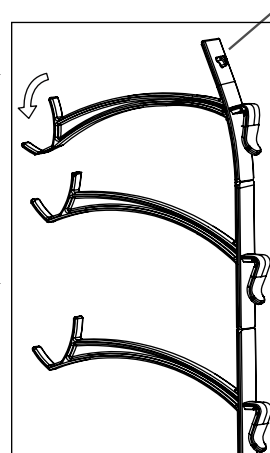
Attach the POS holders to the rails. Start by aligning the POS holders to the center of the rail 1/2" below mirror. Remove adhesive backing and firmly stick to rail, repeat on other side.

6

Insert nose pieces starting from the bottom



SIDE VIEW



To remove:
Pull the top
of nose
piece toward
you, then pull
entire nose piece
up. There is a
locking devise to
prevent it from
coming out.