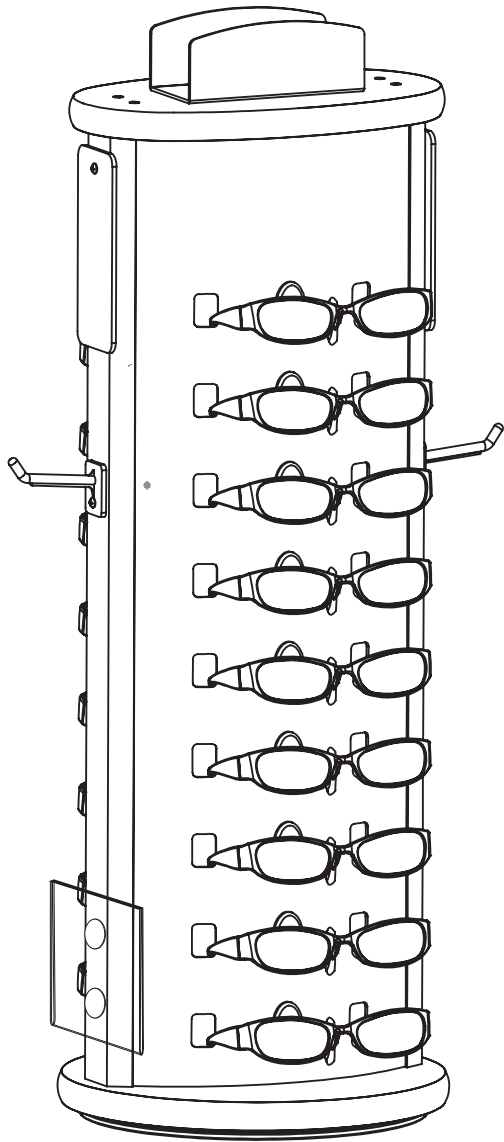
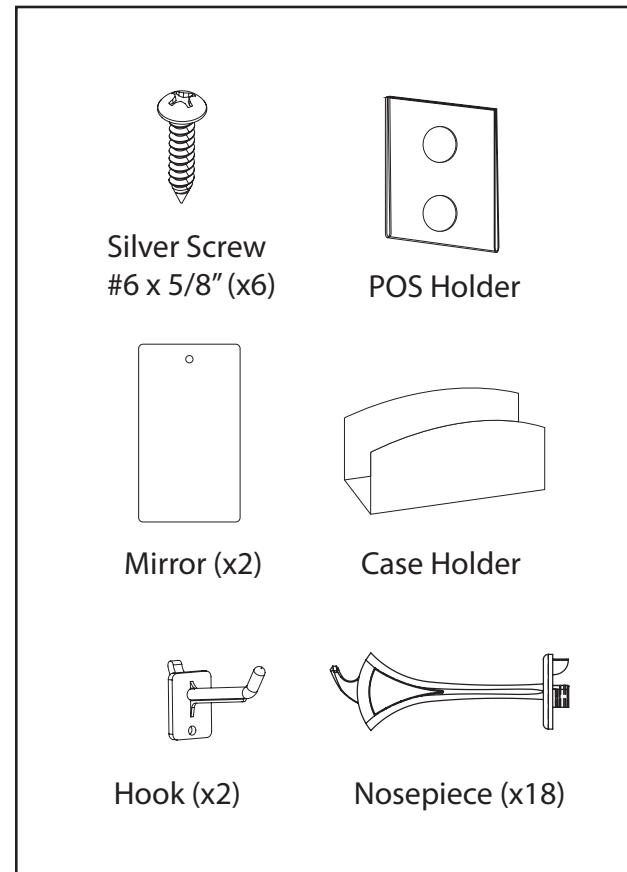


18pc Display instructions



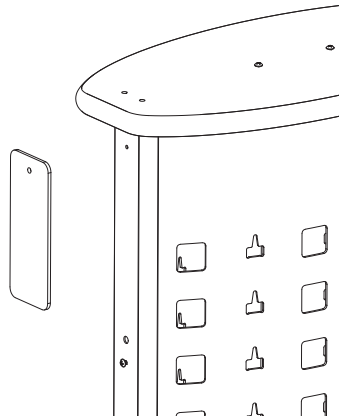
Parts included



If you have any questions please call 412.434.8344 Ref: Peepers 18pc

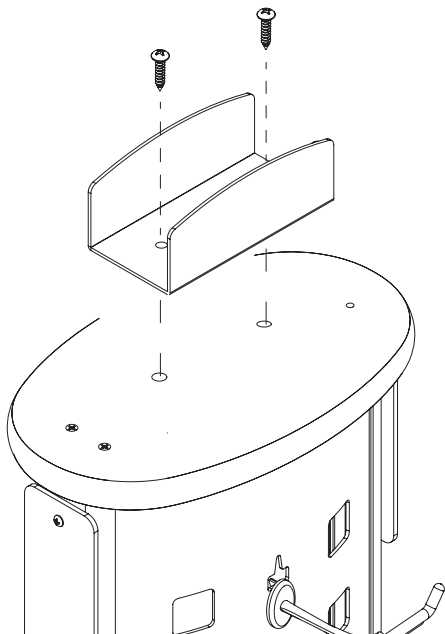
1

Attach mirrors (x2) to the side rails. First put the #6 x 5/8" silver screw through the mirror hole and screw it into the rail until screw catches. Next remove double sided tape on the back of mirror while screw is still not tighten down. Now align mirror so it is vertically straight. Press mirror onto the rail and finish tightening screws!! Do not over tighten screws!!!



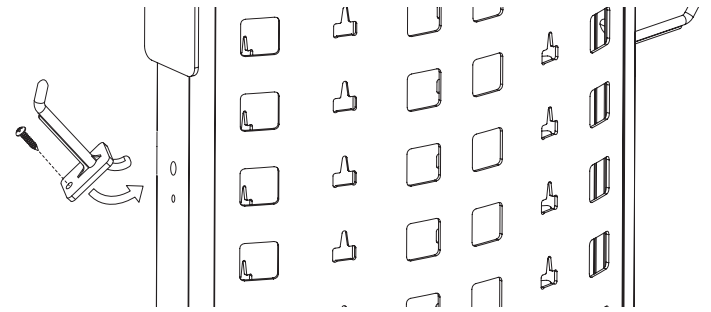
2

Attach case holder to the display top using (2) #6 x 5/8" screws



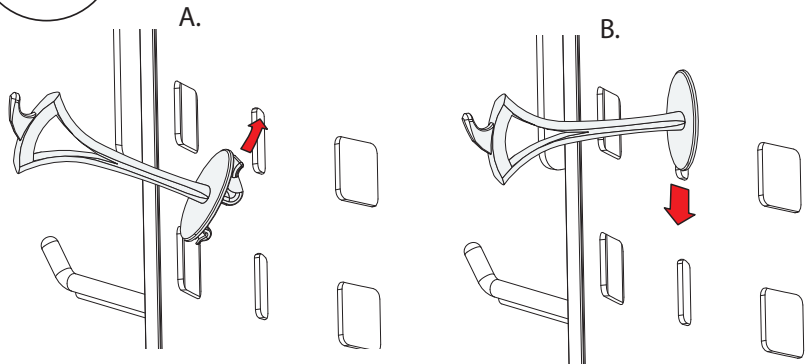
3

Attach hooks to side rails using #6 x 5/8" silver screws



4

Attach nose pieces



To Install nose piece, hook up through slot then press down to lock as shown above

5

Attach POS holder, align to center of the rail an inch up from the bottom, remove adhesive backing and firmly stick to rail

