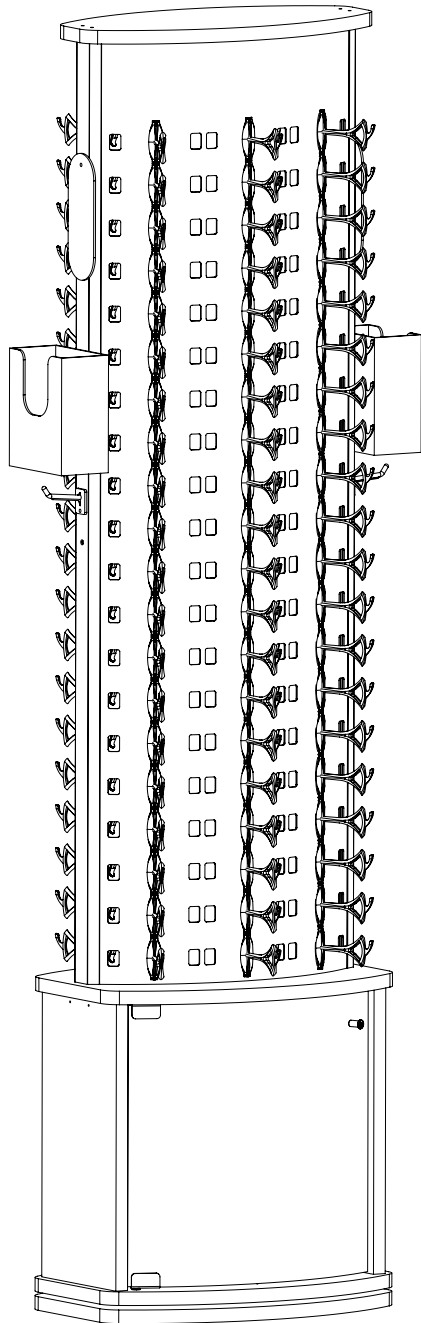
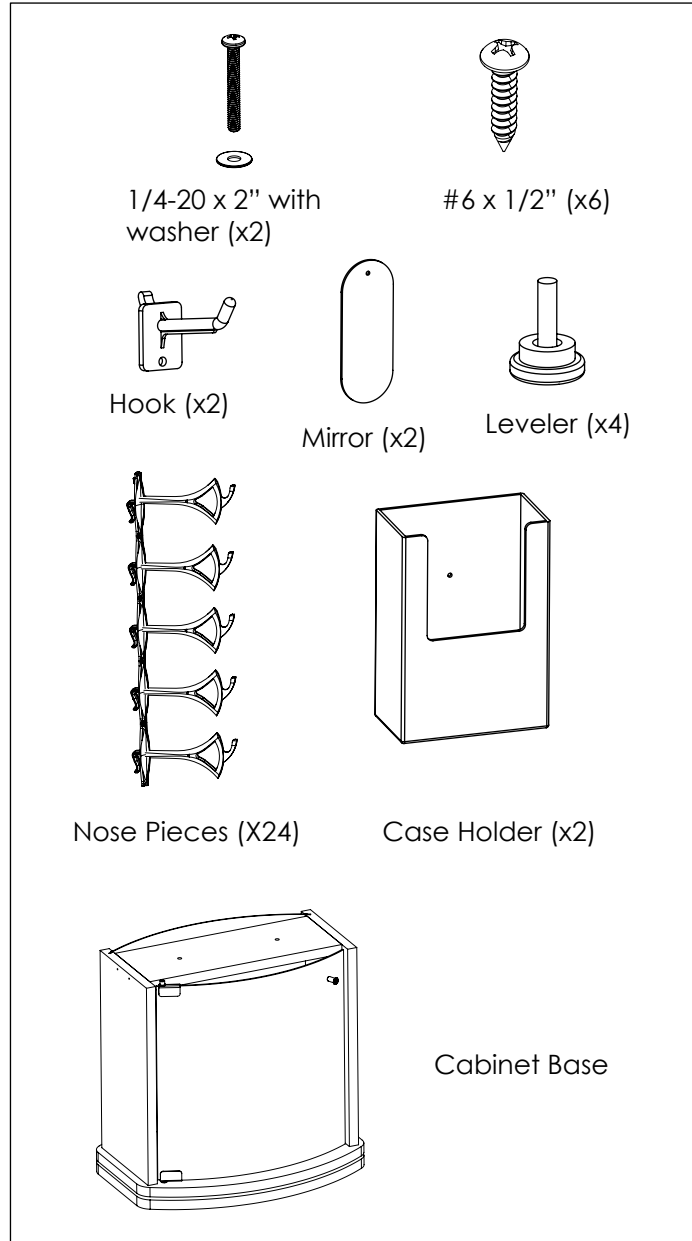


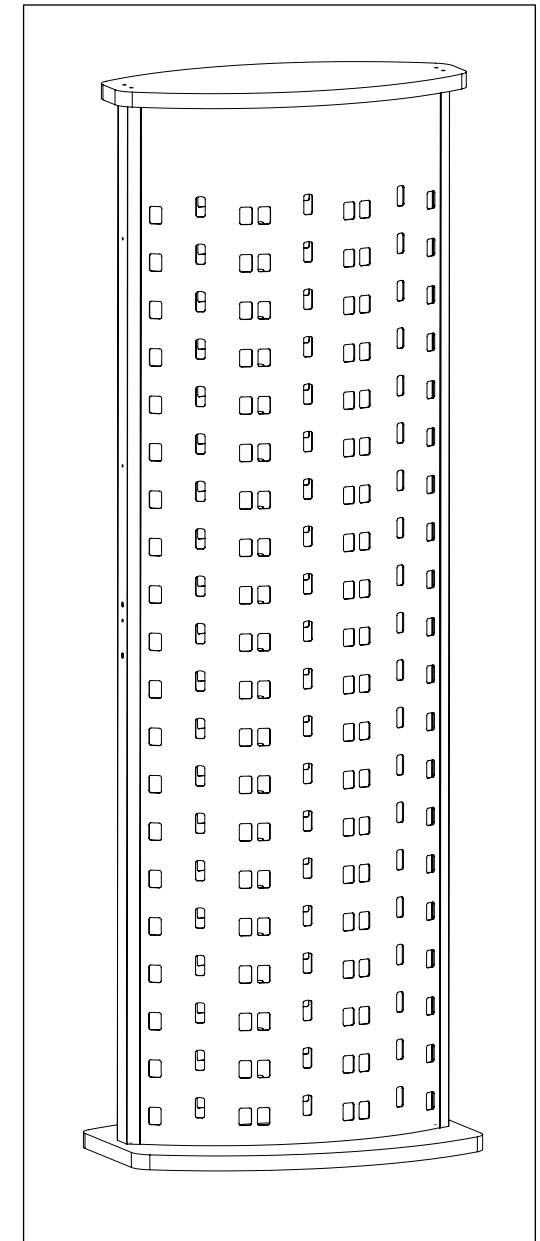
# Peepers 120pc



## BOX 1

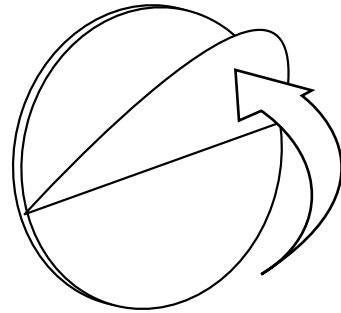


## BOX 2



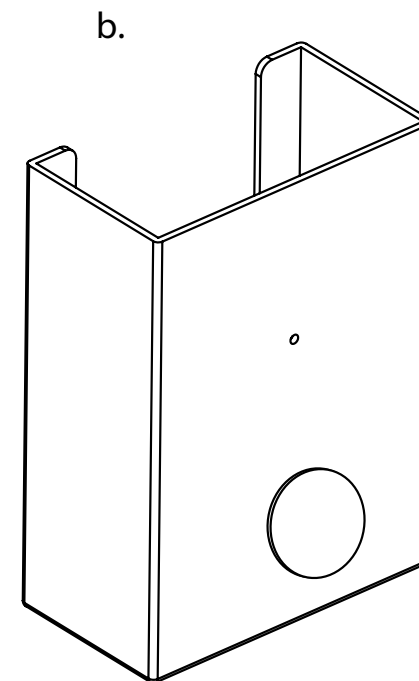
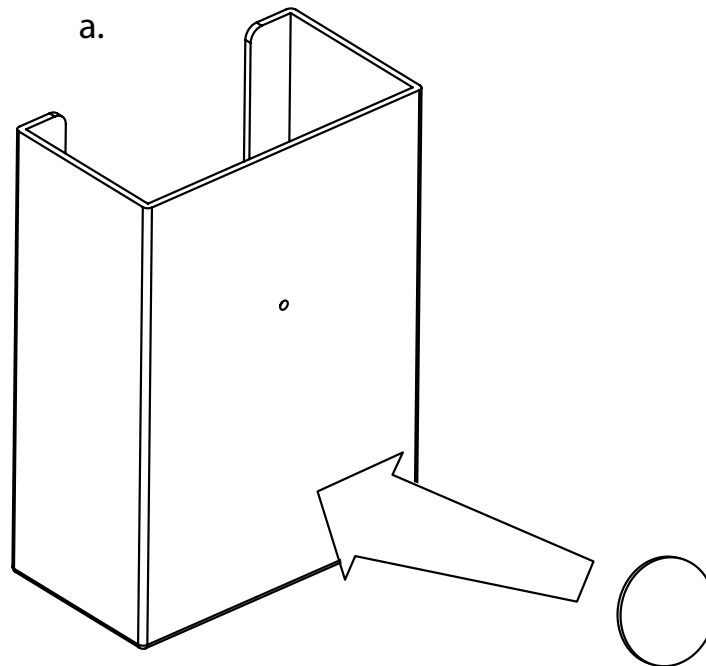
**1**

Peel off double sided tape backing on one side and stick



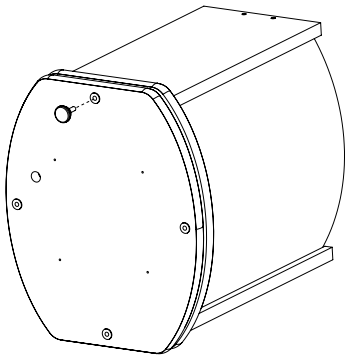
**2**

Place tape on the back of the bucket below screw hole as shown. Make sure the tape is centered in the middle of the bucket



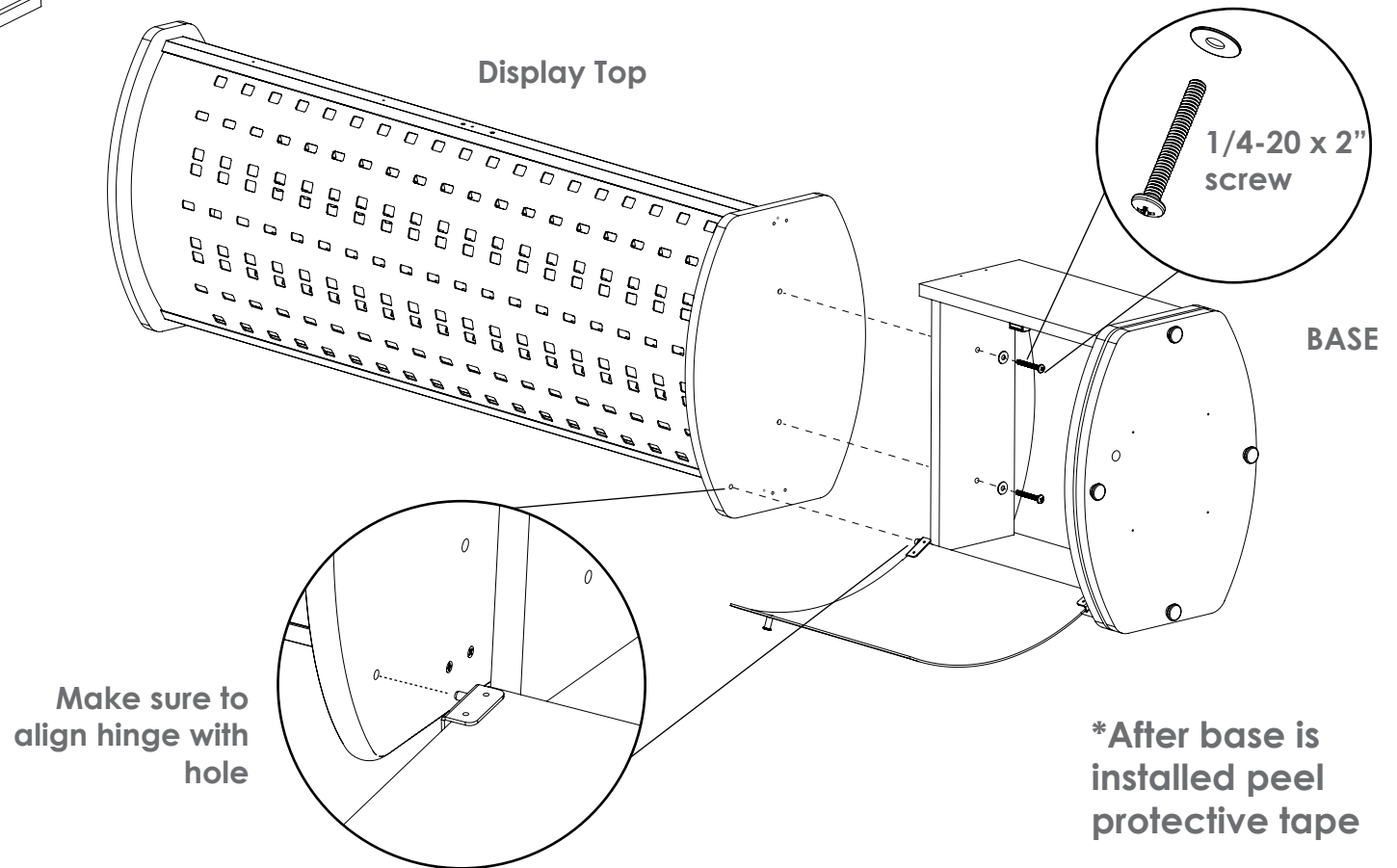
**3**

Locate the levelers in box 1 and screw them into the bottom of the base.



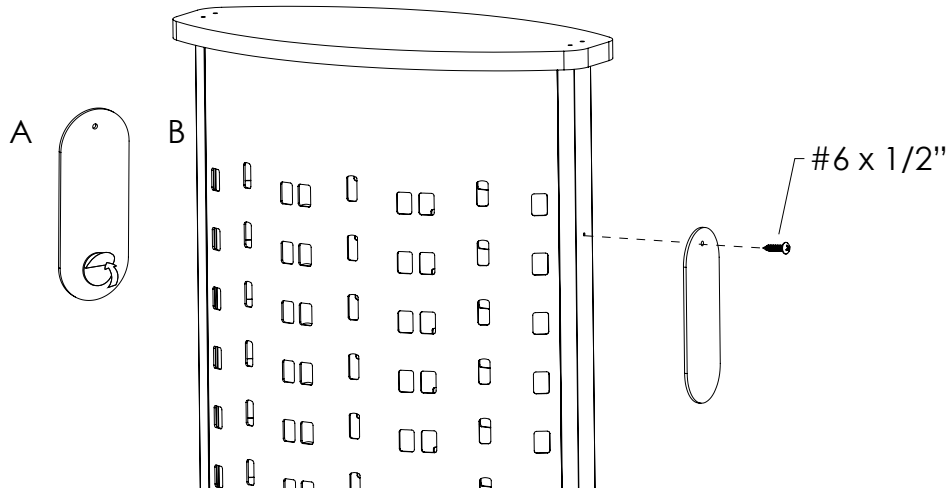
**4**

Locate the display top in box 2. From the inside of the base, screw in the 1/4-20 x 2" screws with washers from box 1 as



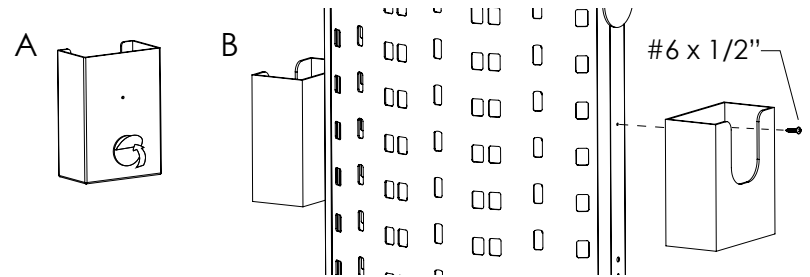
**5**

Attach mirrors (2) to side panels. Begin by starting screws #6 x 1/2" (2). Do not tighten! Slide mirror to side and remove tape on back of mirror. Align Mirror so it is vertically straight. Press on to rail and finish tightening screws! Do not over tighten screws!



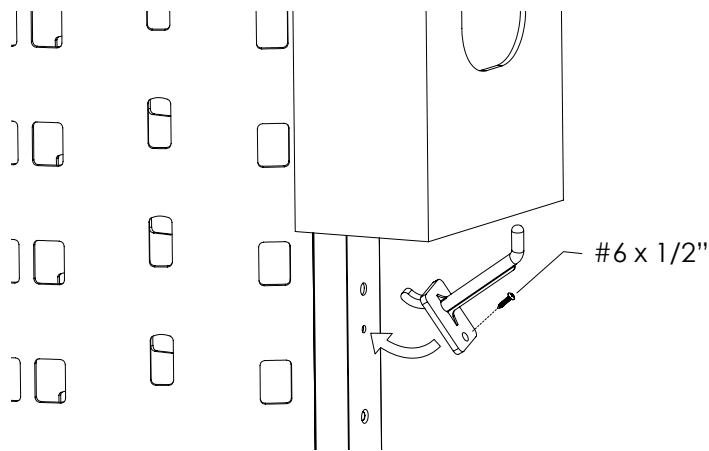
**6**

Attach case holder using #6 x 1/2" screws (1). Start screw, then slide case holder to side and remove tape on back of holder. Align case holder so it is vertically straight. Press on rail and finish tightening screws. Do not over tighten screws



**7**

Locate the #6 x 1/2" (x2) screw from box 1. Insert the accessory hook then screw in.



**8**

Insert nose pieces by starting at the

