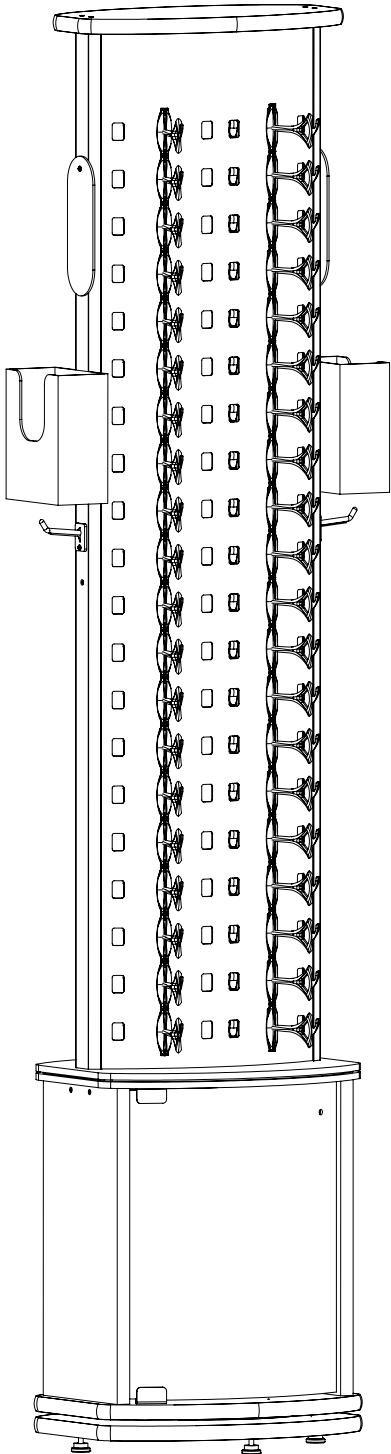
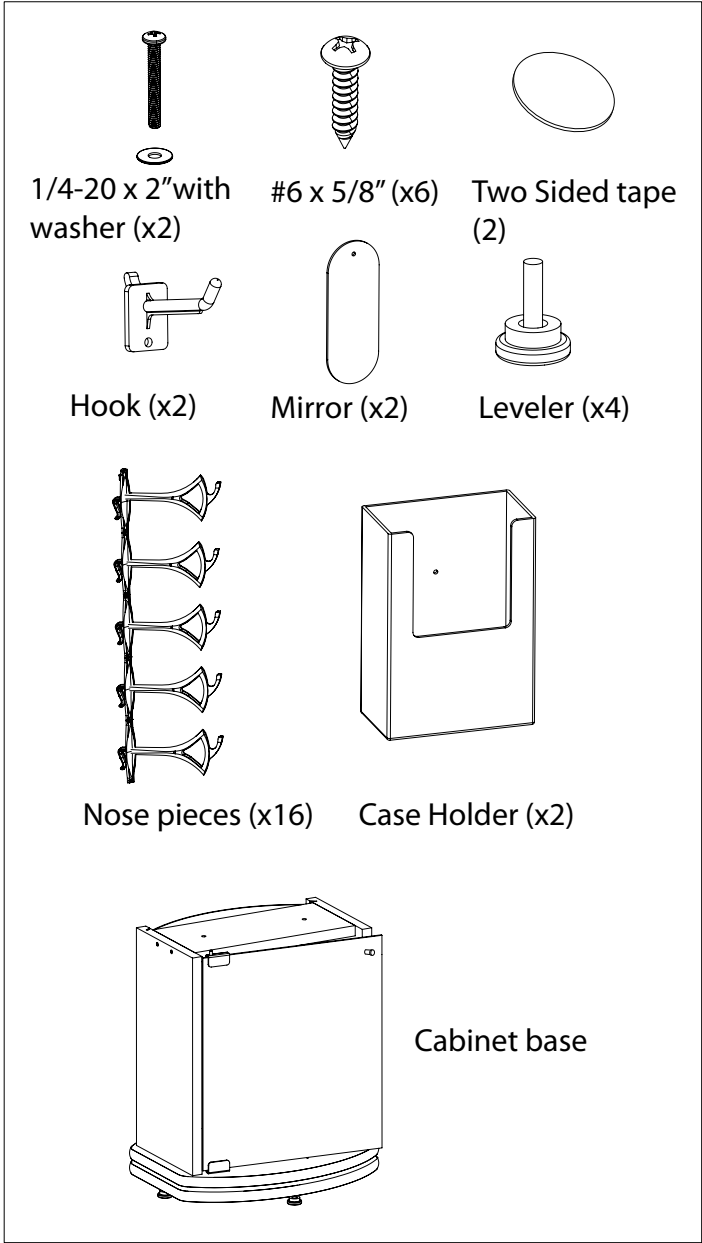


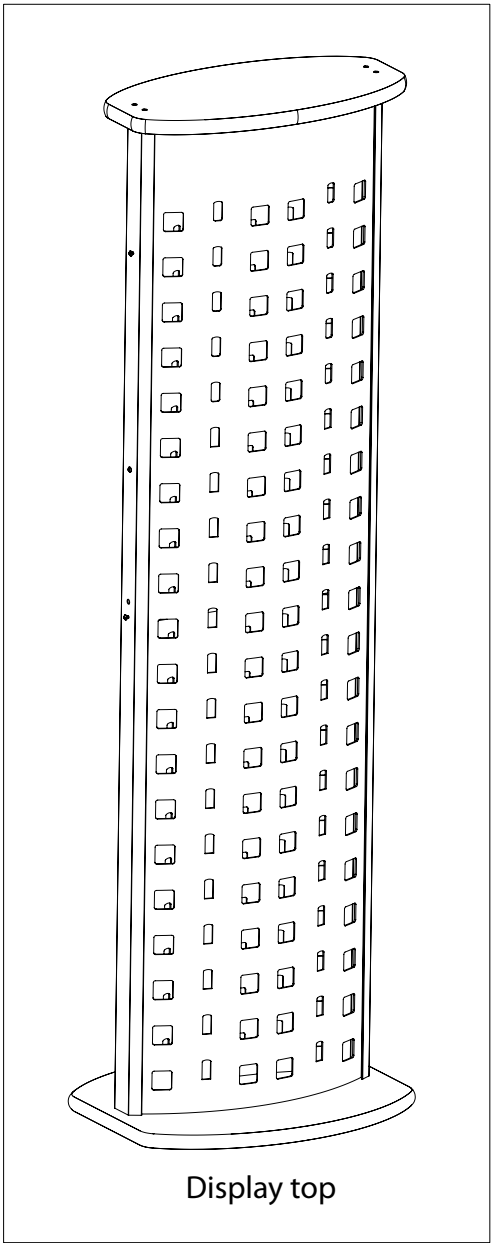
80pc Display instructions



Box 1

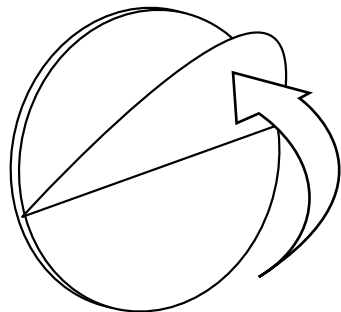


Box 2

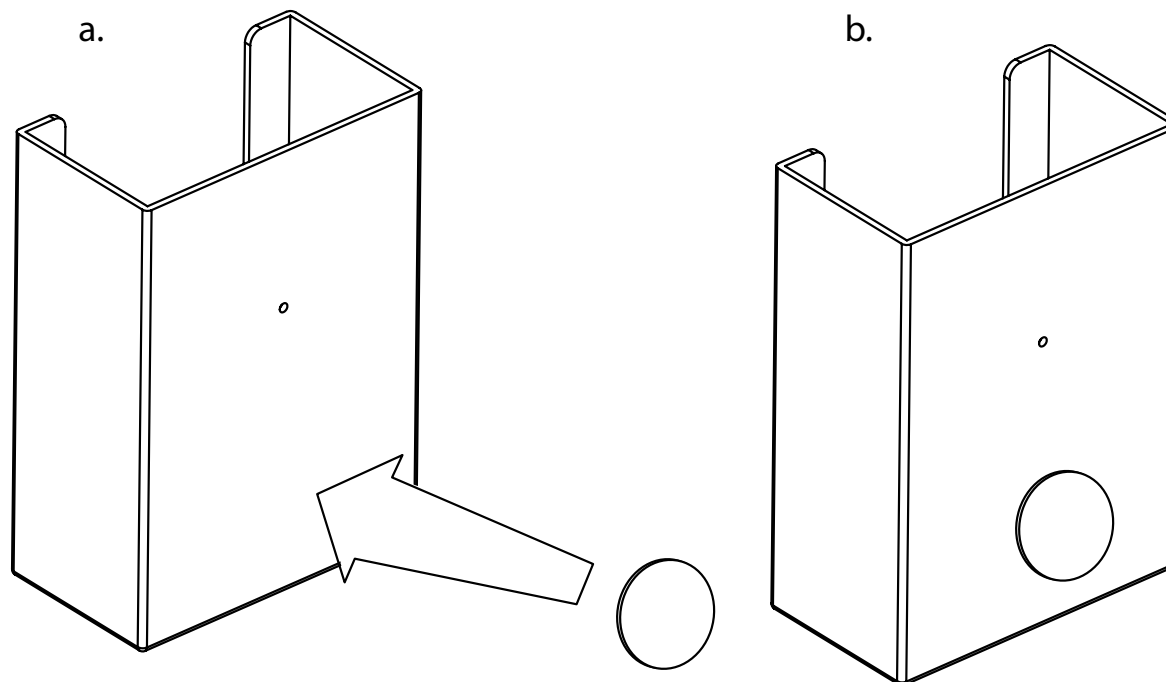


If you have any questions please call 412.434.8344 Ref: Peepers 80pc

- 1 Peel off double sided tape backing on one side and stick

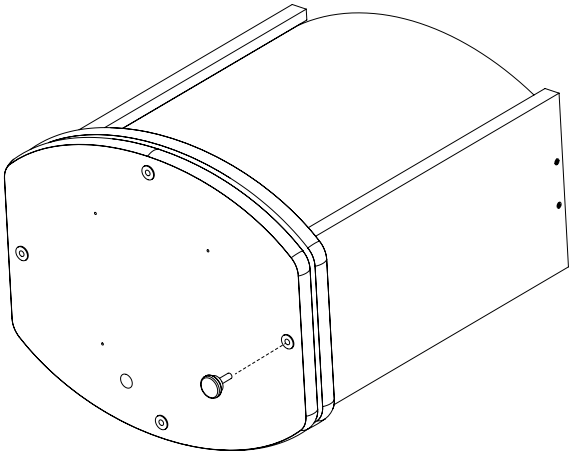


- 2 Place tape on the back of the bucket below screw hole as shown. Make sure the tape is centered in the middle of the bucket



3

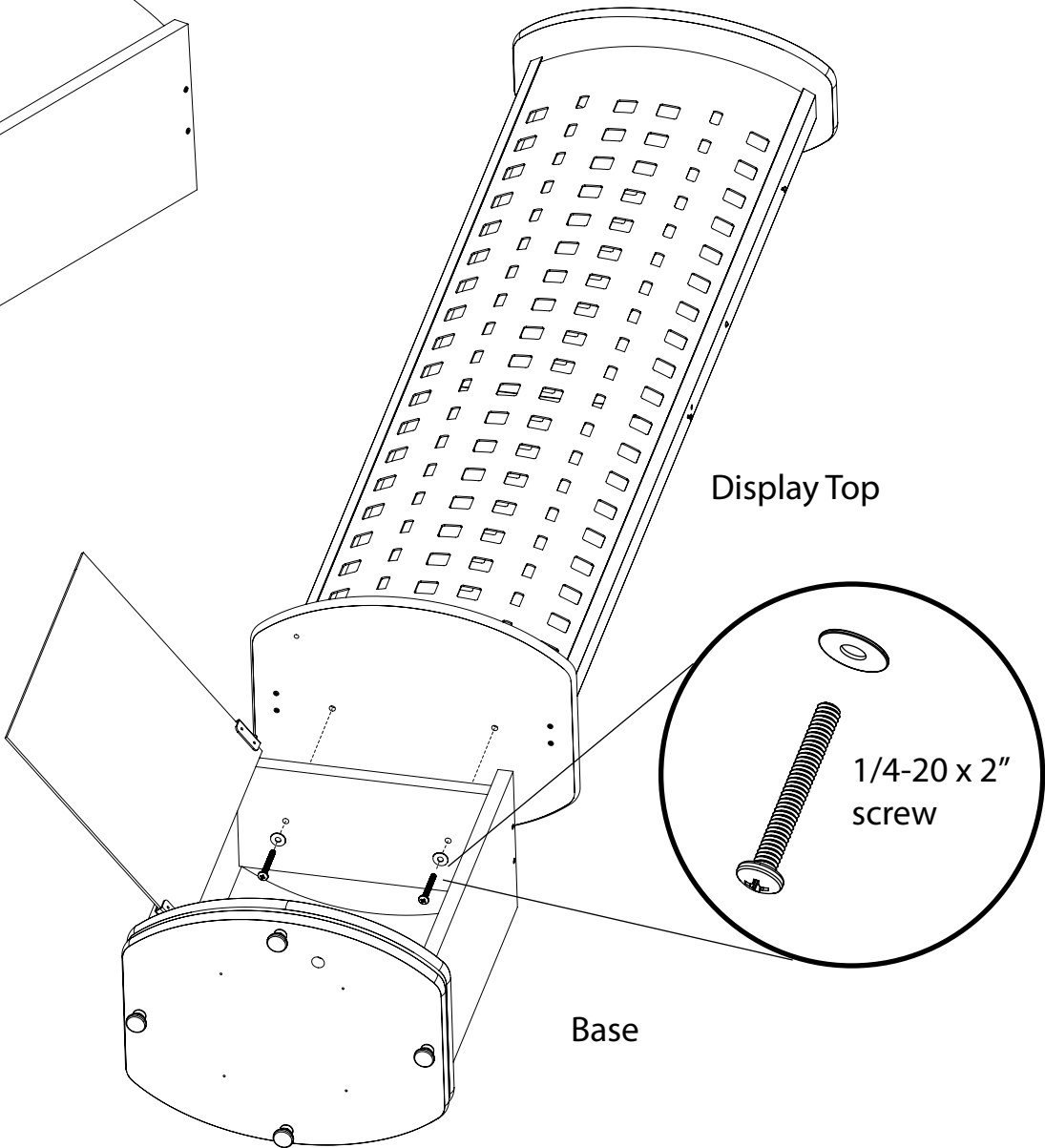
Locate the levelers in box 1 and screw them in to the bottom of the base



Base

4

Locate the display top in box 2. From the inside of the base, screw in 1/4-20 x 2" screws with washers from box 1 as shown below



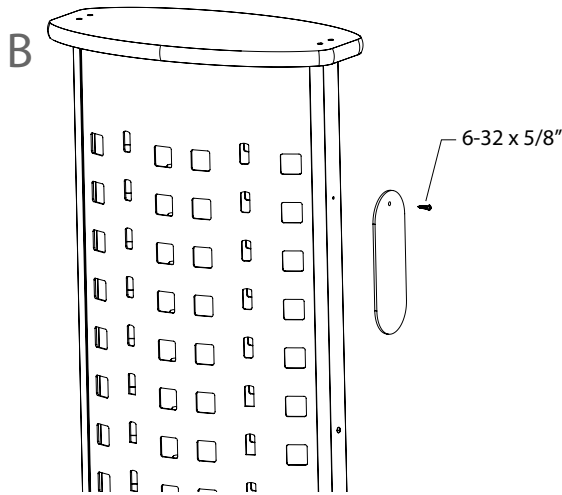
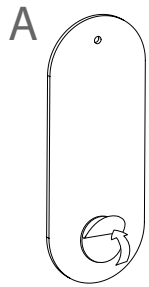
Display Top

Base

1/4-20 x 2"
screw

5

Attach mirrors (x2) to side panels. Begin by starting screws #6 x 5/8" (x2). Do not tighten! Slide mirror to side and remove tape on back of mirror. Align mirror so it is vertically straight. Press on to rail and finish tightening screws!! Do not over tighten screws



6

Attach case holder (x2) to side panels. Begin by starting screws #6 x 5/8" (x2). Do not tighten! Slide case holder to side and remove tape on back of holder. Align holder so it is vertically straight. Press on to rail and finish tightening screws!! Do not over tighten screws

7

Locate the #6 x 5/8" screw from box 1. Insert the accessory hook then screw in.

