

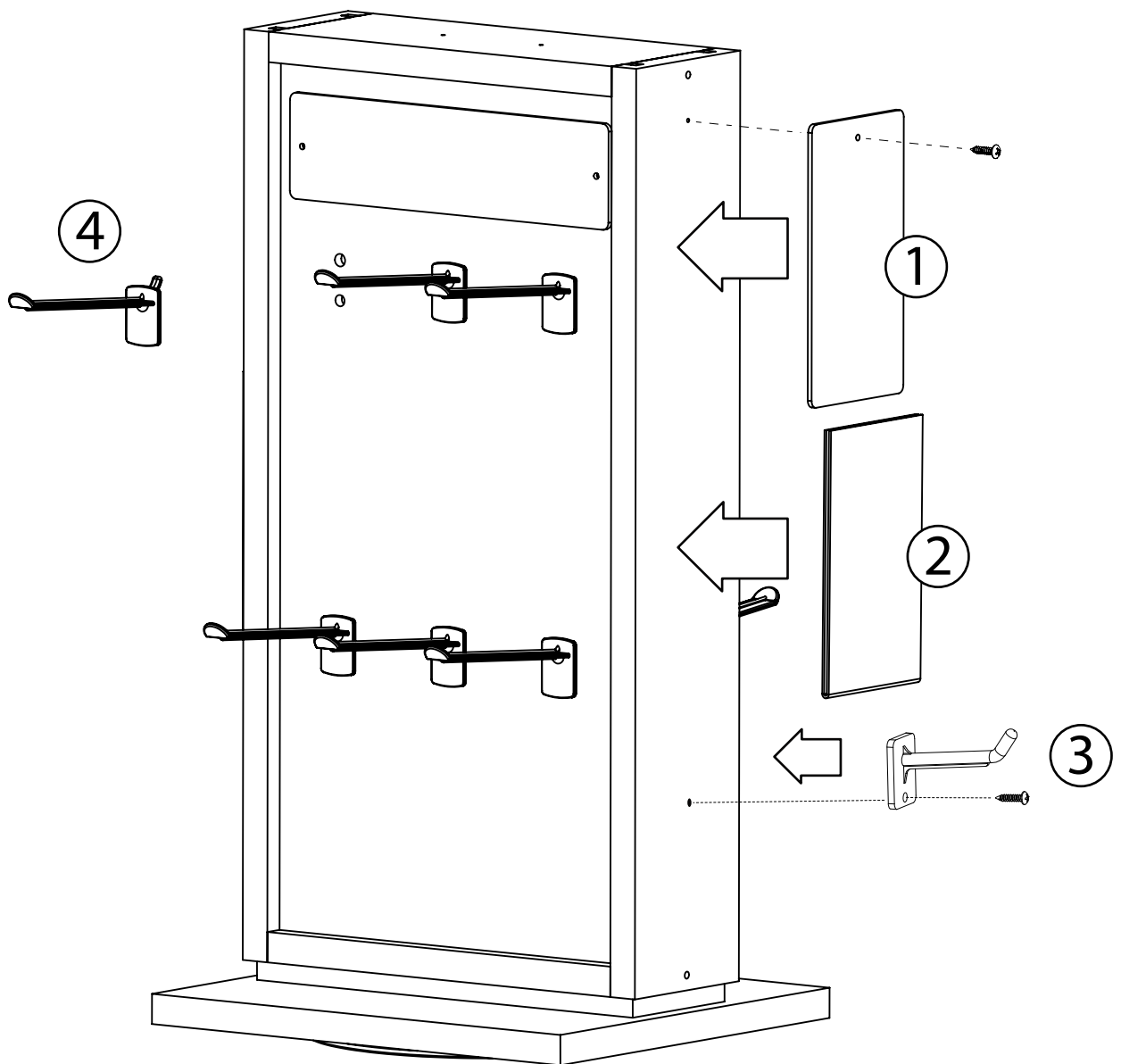
Peepers 48pc Counter

1. Attach the mirrors to the display. TURN PAGE FOR DETAILS.

2. Attach the POS 1/2" below the mirror. Peel off protective coating. TURN PAGE FOR DETAILS.

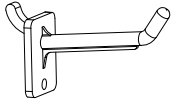
3. Attach accessory hooks to the side of the display. TURN PAGE FOR DETAILS.

4. Insert all 12 hooks into the panels.

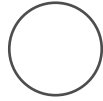


If you experience any problems please call A. Pepper Designs at 219-872-4413
REF: Peepers 48pc counter display

PARTS LIST



Rail hook(X2)



Double sided
tape (X6)



Hooks (X12)



#6 x 1/2" pan
head sheet
metal screw (X4)

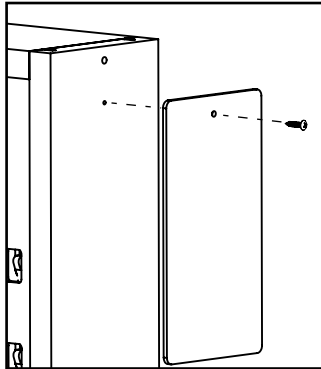


POS holder (X2)



Mirror (X2)

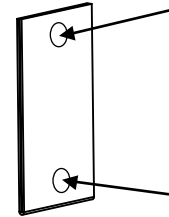
1



If double sided
tape is not
attached
already put a
piece on the
back of each
mirror in this
location.

Attach mirrors (x2) to the side rails. First put the #6 x 1/2" silver screw through the mirror hole and screw it into the rail until screw catches. Next remove double sided tape on the back of mirror while screw is still not tighten down. Now align mirror so it is vertically straight. Press mirror onto the rail and finishing tightening screws, do not over tighten screws!!!

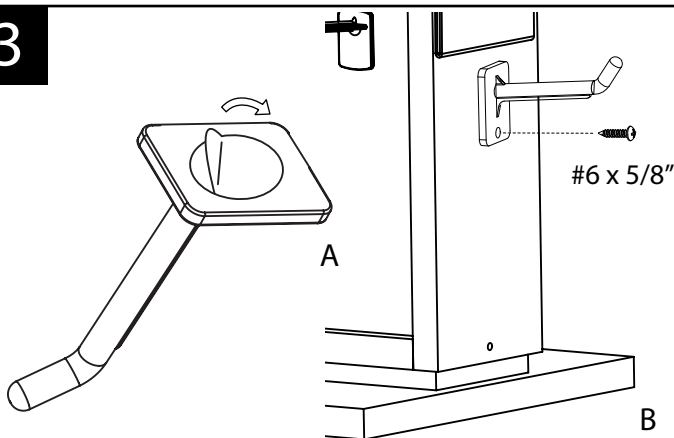
2



If double sided tape is not attached already, put one piece on the top and bottom of each POS card.

Attach the POS holders to the rails. Start by aligning the POS holders to the center of the rail 1/2" below mirror. Remove adhesive backing and firmly stick to rail, repeat on other side.

3



(A) Remove the double sided tape from the back of the hook. (B) Attach the hook to the display with the hole on the hook lined up with the hole on the rail (keep hook straight). Once the hook is stuck to the rail, secure with a #6 x 5/8" sheet metal screw.