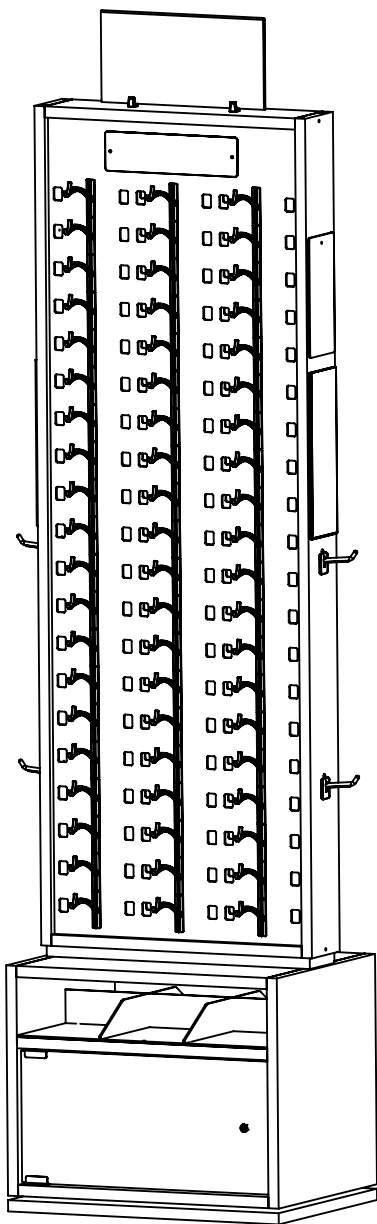


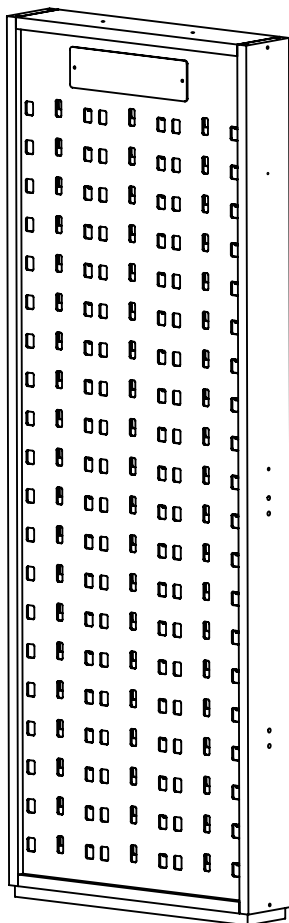
# Peepers 120pc Instructions

Before assembling display, remove all packaging materials. Remove clear protective film from mirrors, header, and graphic panels. Set out all hardware and parts. Assemble display on a clean, smooth surface.

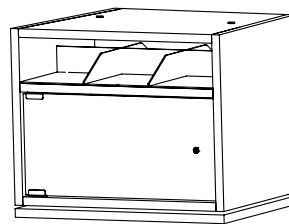


Assembled Display

**Box #1:**  
Includes the main Display unit.



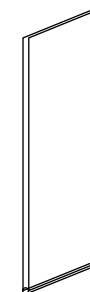
**Box #2:**  
Includes the rotating base unit and all the hardware.



Display Base



5pc Nose Piece (x24)



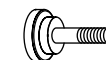
Rail POS



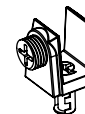
#6 x 1/2" pan head Sheet metal screws (x4)



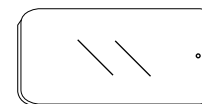
Double sided Tape (X10)



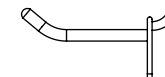
Leveler (x4)



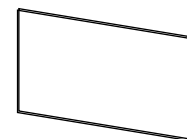
POS Holder (x2)



Mirror (x2)



Hooks (x4)



Header POS



1/4"-20 x 2.35" Assembly Bolt

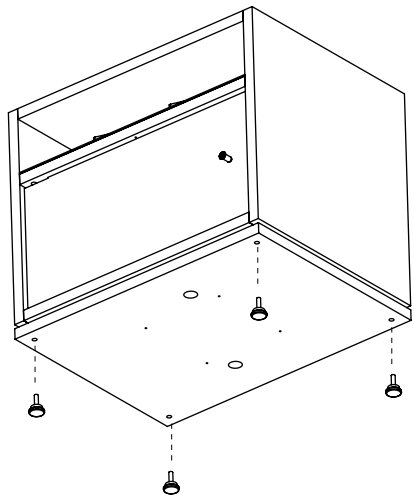


Hex Key

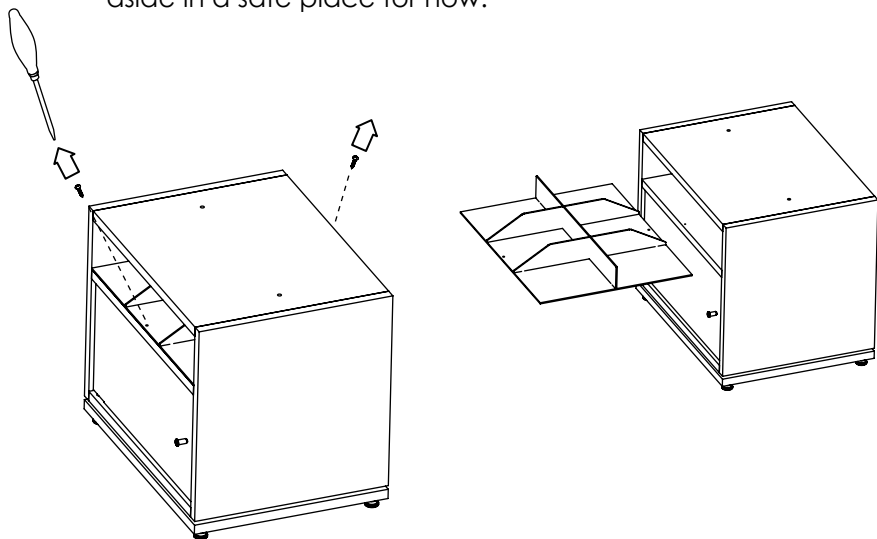
TURN OVER

# Peepers 120pc Instructions

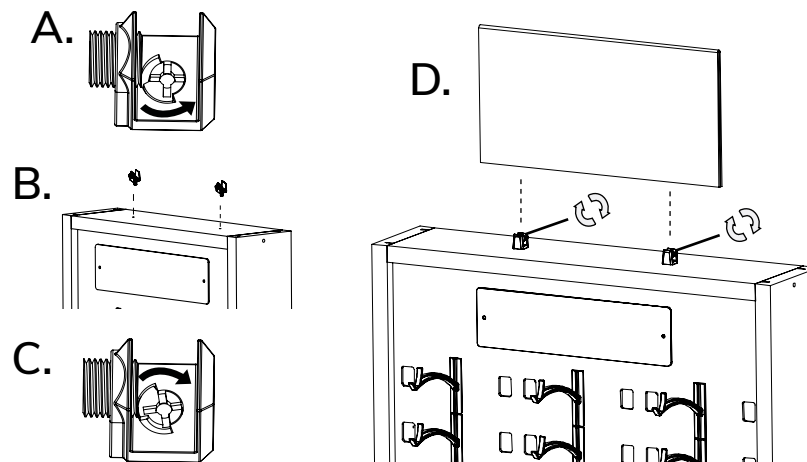
- ① Locate the levelers in box 2 and screw all 4 of them into the bottom of the base as shown.



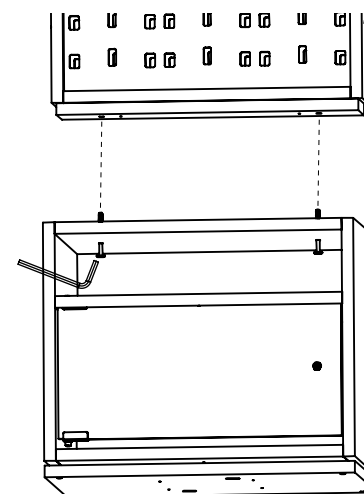
- ② Locate the two screws holding the case holder tray in place and remove them. Set tray and screws aside in a safe place for now.



- ③ (A) Take header post and turn the screw on the bottom all the way to the left. (B) Next, push the header holder into the hole on the top of the display. (C) Hold the header holder in place and screw the bottom screw all the way to the right to lock holder in place. Repeat on the second header post. (D) Center the header inside the two holders and screw in the set screws to lock the header in place



- ④ With the help of another person holding the display top, attach the display to the base using the 2 assembly bolts and the hex wrench as shown. Once both bolts are in, tighten them down with a hex wrench to secure the top.

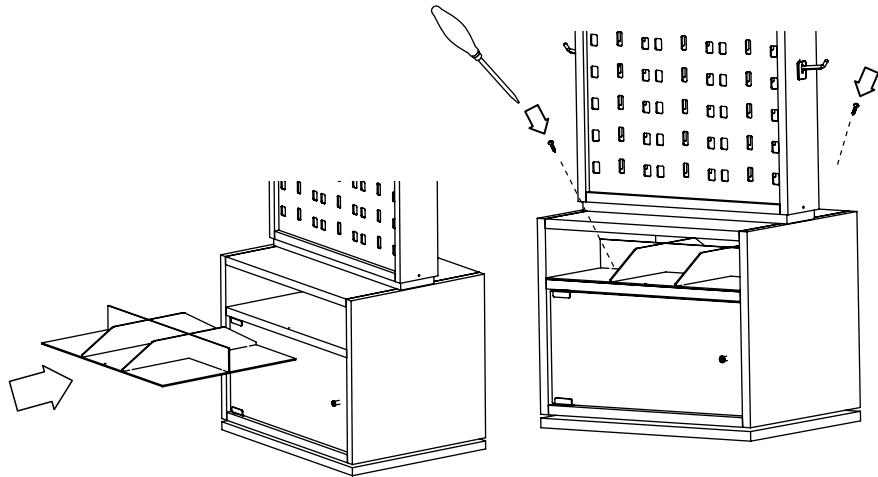


TURN OVER

Page 2

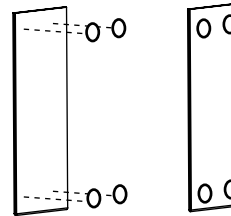
# Peepers 120pc Instructions

- 5** Once the display is attached to the base locate the screws and case holder tray from step 2 and re-attach. **DO NOT OVER TIGHTEN OR YOU COULD CRACK THE PLASTIC TRAY.**

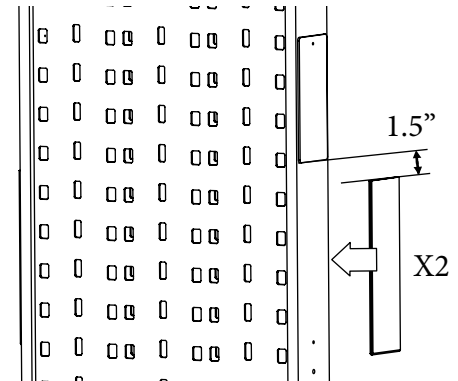


- 7** Peel the blue protective coating off the two POS holders. Next take four pieces of double sided tape and attach them to the corners of the POS holder evenly spaced. Repeat on other POS holder. Next, place POS on rail 1.5" down from the mirror, with the open end of the POS facing upward.

**a.** X2

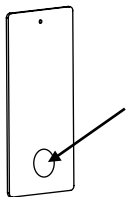


**b.**



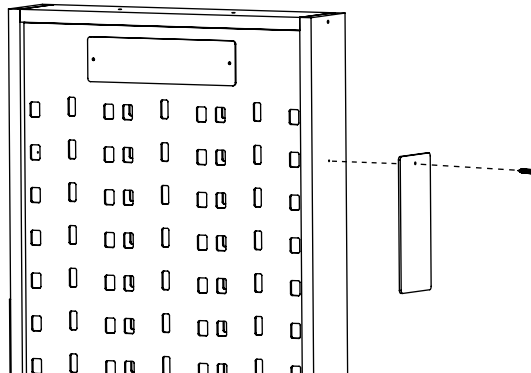
- 6** Attach double side tape to the back of the mirror as shown. Attach mirrors (x2) to side panels. Begin by starting screws #6 x 1/2" (x2). Do not tighten! Slide mirror to side and remove tape on back of mirror. Align mirror so it is vertically straight. Press on to rail and finish tightening screws. Do not over tighten screws!!

**a.**



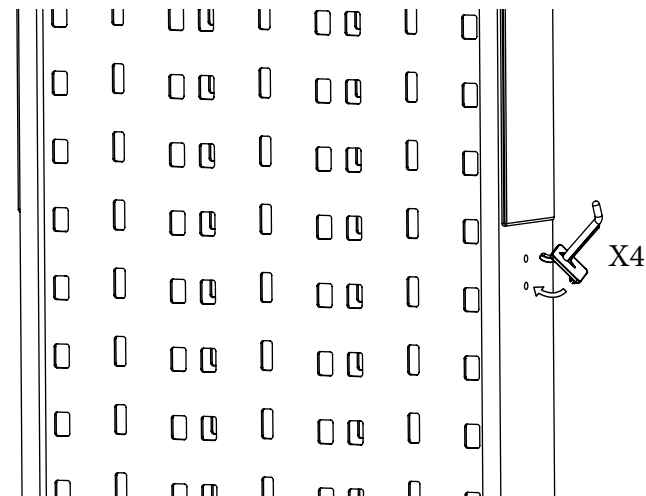
If double sided tape is not attached already put a piece on the back of each mirror in this location.

**b.**



**8**

Attach all 4 hooks to the display as shown.

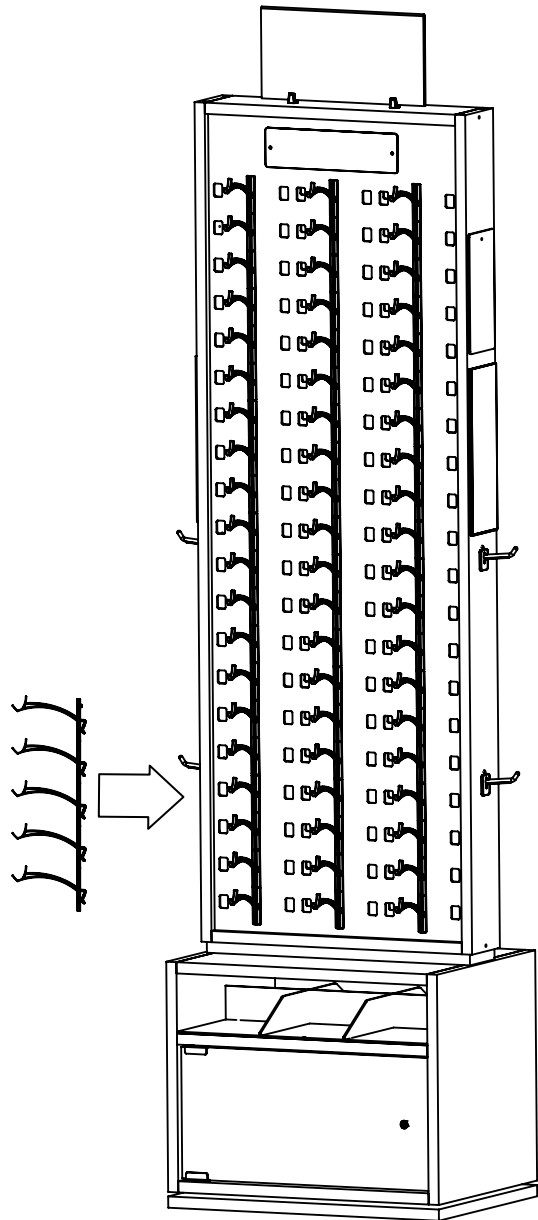


TURN OVER

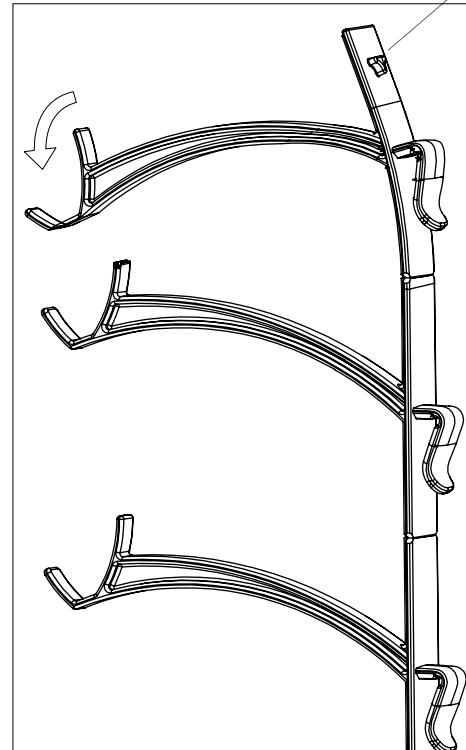
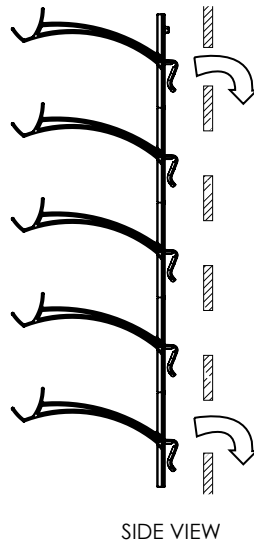
Page 3

# Peepers 120pc Instructions

- 9 Insert all 24 nose pieces by starting at the bottom.



Insert nose pieces starting from the bottom



**To remove:**  
Pull the top of nose piece toward you, then pull entire nose piece up. There is a locking devise to prevent it from coming out.